

IRB1—Infrared Connecting Block Instruction Manual

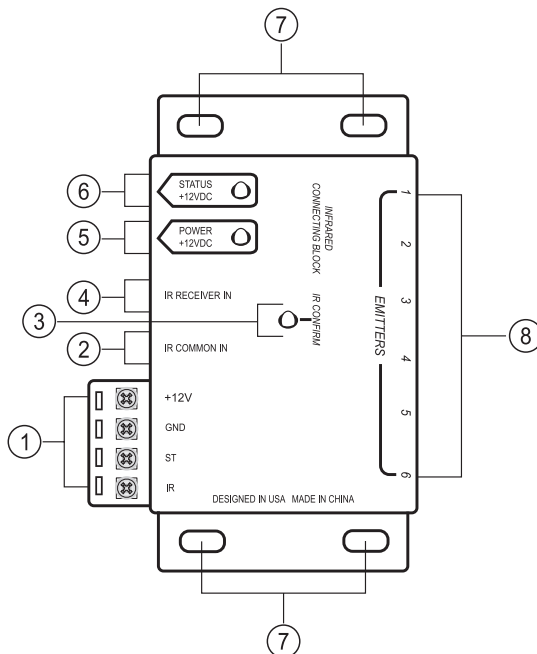
The IRB1 Infrared Connecting Block connects infrared receivers, power supplies and emitters together to interface the infrared system to the audio / video components. The IRB1 Connecting Block provides a convenient means of interconnecting Destination Audio (and industry compatible) infrared products in infrared repeating systems. See the back side of this document for a multi-room setup.

Features:

- Six emitter output connections.
- Convenient IR confirmation LED.
- Status power receptacle with LED indicator.
- Power receptacle with LED indicator.
- Three conductor 1/8-inch receptacle for interfacing with other brands of freestanding IR receivers.
- Two conductor 1/8-inch receptacle for common IR input.
- Large detachable IR receiver connection.
- Compact size for mounting near audio equipment.

Feature Descriptions (refer to the illustration below):

- 1. Detachable Connector:** This removable connector is used to connect remote infrared receivers to the IRB1 Connecting Block. This connector accepts wire sizes 14 to 28 AWG for connection of the following:
 - +12V – Powers connected IR receivers, keypads, etc.
 - GND – Return for power, IR signal and status indicators
 - ST – Connects status voltage to status indicators in IR receivers, keypads, etc.
 - IR – Receives IR control signals from IR receivers, keypads, etc.



- 2. IR Common In:** This is a two terminal 1/8-inch plug. Signal is tip, ground sleeve. This can be connected to the IR output of a stereo receiver or the common IR output of an audio distribution system.
- 3. IR Confirm:** When an IR signal is received the IR confirmation blue LED will flash.

- 4. IR Receiver In:** This is a three terminal 1/8-inch plug that is common to many of the free standing IR receivers. This will connect the power, ground and signal. Signal is tip, ground is the ring and power is the sleeve.
- 5. Power +12VDC:** Connect a 12VDC 200mA power supply to the power jack. The red LED will be illuminated when powered. This will power all of the IR components connected to the system.
NOTE: Please do not exceed the current capacity of the power supply connected to this port. Doing so may cause damage to the power supply, IRB1 Connecting Block, and also may reduce the performance of the entire IR system.
- 6. Status +12VDC:** Connecting an additional power supply to this connection will power the status connection. The green LED will be illuminated when powered. This can be from a 12 volt trigger output or from a wall type power supply plugged into a switched outlet of a stereo receiver. Simply plug a 12 VDC power supply into the switched outlet of the component you wish to monitor, and when the unit is powered on, the status LED will illuminate.
- 7. Mounting Holes:** Attaches the IRB1 Connecting Block to any flat surface using the two screws. Try to mount the IRB1 Connecting Block near the source equipment which the emitters are attached to.
- 8. Emitter Outputs:** Connect up to six emitters to the emitter jacks labeled 1-6.

Specifications:

Dimensions: 3 1/4" W x 1 7/8" H x 1" D
Weight: 6 oz. (.2 Kg)

Other Destination Audio IR Products:

- (IRK1) IR Kit with four (IRE1) IR Single Emitters, one (IRPS1) IR Power Supply 200mA, one (IRB1) 1 Zone Block, and one (IRRP) IR Plasma Receiver
- (IRB1) IR (1 Zone) Connecting Block
- (IRE1) IR Emitter (Single)
- (IRE2) IR Emitter (Dual)
- (IRRP) IR Plasma Receiver
- (IRRW) IR Wall Mount Receiver
- (IRPS1) Power Supply 12V DC, 200mA
- (IRRS) Flush Mount Receiver
- (VC100RI) IR Impedance Matching Rotary-type Volume Control
- (VC100SI) IR Impedance Matching Slider-type Volume Control

Limited Warranty:

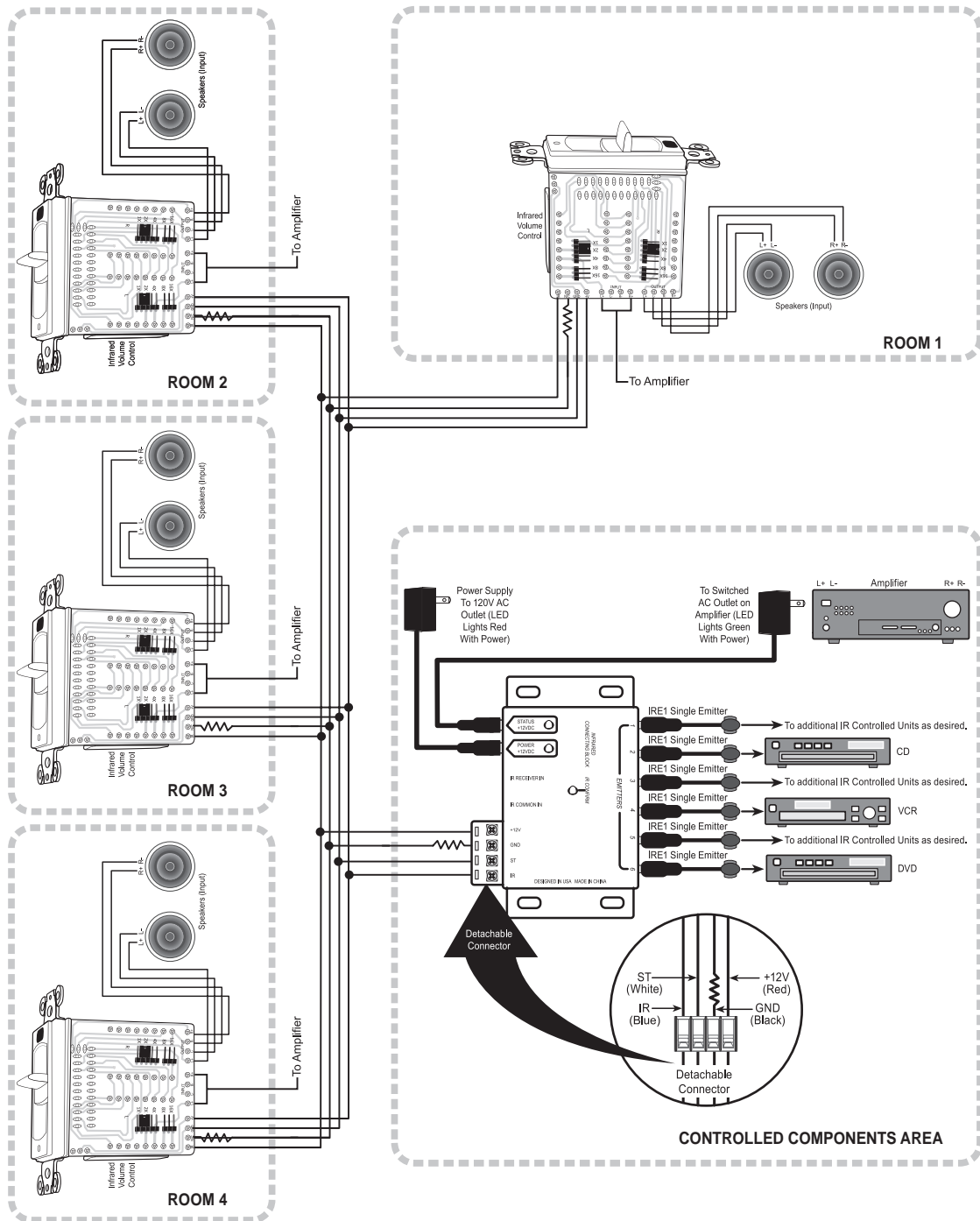
Your Destination Audio IRB1 Connecting Block and other IR products are covered by a limited warranty against defects in materials and workmanship for a period of 1 year from the original date of purchase. This warranty is provided by the authorized Destination Audio dealer where the product was purchased. Warranty repair will be performed only when your purchase receipt is presented as proof of ownership and date of purchase. Defective parts will be repaired or replaced without charge by your dealer's store or the location designated by your dealer authorized to service Destination Audio products. Charges for unauthorized service and transportation cost are not reimbursable under this warranty. This warranty becomes void if the product has been damaged by alteration, misuse or neglect. Destination Audio assumes no liability for property damage or any other incidental or consequential damage whatsoever which may result from the failure of this product. Any and all warranties of merchantability and fitness implied by law are limited to the duration of this express warranty. Some states do not allow limitations on how long an implied warranty lasts, so the above limitations may not apply to you. Some states do not allow the exclusion or limitation of incidental or consequential damages, so the above limitation or exclusion may not apply to you.



382 Marshall Way, Layton, Utah • USA • 84041 • Toll Free: (800) 543-2205 • Fax: (801) 543-3300 • www.destinationaudio.com

It is Destination Audio policy to continuously incorporate improvements into products; all specifications are subject to change without notice. Copyright © 2009 Destination Audio. All Rights Reserved.

IRB1–Infrared Connecting Block Instruction Manual



The above example is a multi-room system using one IRB1 Connecting Block for infrared control of a common whole-house audio system. This type of connection permits IR receivers (or keypads if used), located in each room, to control the various components used in the system



382 Marshall Way, Layton, Utah • USA • 84041 • Toll Free: (800) 543-2205 • Fax: (801) 543-3300 • www.destinationaudio.com

It is Destination Audio policy to continuously incorporate improvements into products; all specifications are subject to change without notice. Copyright © 2009 Destination Audio. All Rights Reserved.